

SLV-E580EE/E580EG/E630AE/E630NP/E727VC/E730B/E730EX/E730NC/E730NP/
 E730UX/E730VC/E730VP/E735B/E735NC/E735VC/E780EE/E780EG/E780EN
 RMT-V220B/V221D/V223/V223A/V223B/V224/V224C

SERVICE MANUAL



Photo: SLV-E780

S MECHANISM

Hi-Fi

SHOWVIEW

- Refer to the SERVICE MANUAL of VHS MECHANICAL ADJUSTMENTS VI for MECHANICAL ADJUSTMENTS. (9-921-647-11)

AEP Model
 SLV-E630AE

French Model
 SLV-E730B/735B

East European Model
 SLV-E580EE/E780EE

Middle European Model
 SLV-E580EG/E780EG/E780EN

North European Model
 SLV-E730NC/E735NC

Irish Model
 SLV-E730EX

Spanish Model
 SLV-E630NP/E730NP

UK Model
 SLV-E730UX

German Model
 SLV-E727VC/E730VC/E730VP/E735VC

* The abbreviations of E580, E630, E727, E730, E735, E780 contained in this service manual are indicated when these models are common to all their corresponding models as given below.

Abbreviated model name	E580	E630	E727	E730	E735	E780
All model names SLV-	E580EE E580EG	E630AE E630NP	E727VC	E730B E730EX E730NC E730NP E730UX E730VC E730VP	E735B E735NC E735VC	E780EE E780EG E780EN



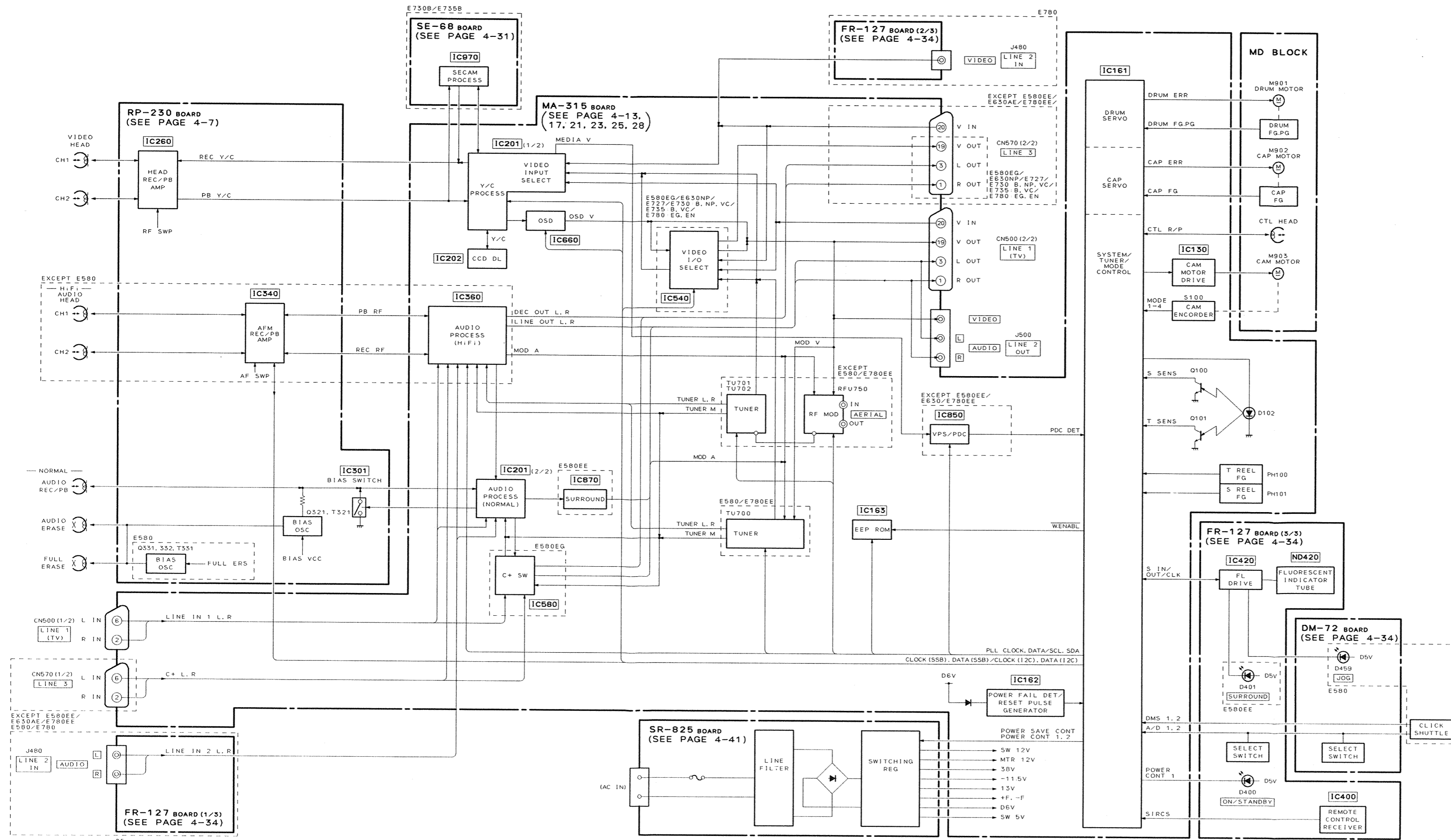
VIDEO CASSETTE RECORDER



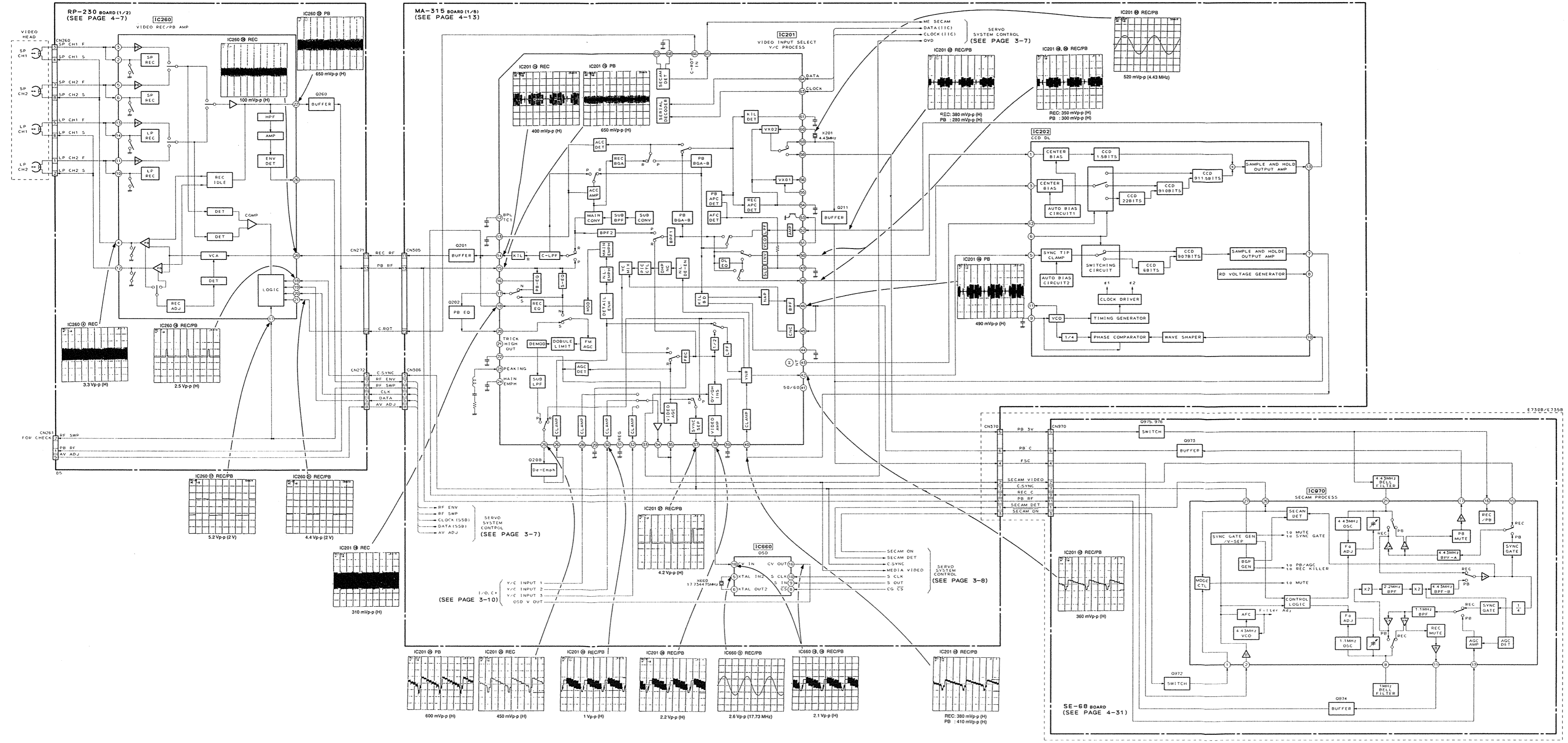
SONY®

SECTION 3
BLOCK DIAGRAMS

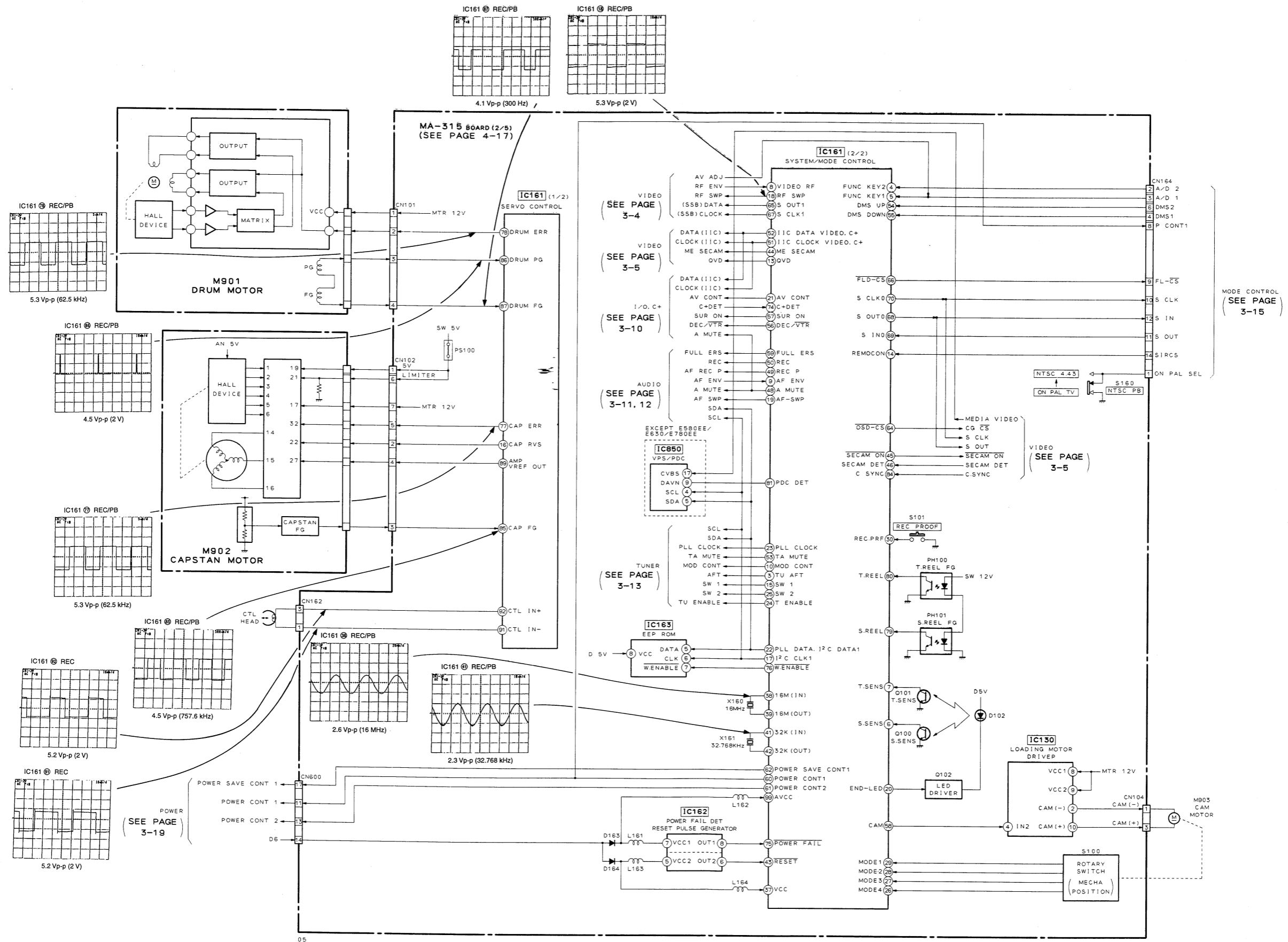
3-1. OVERALL BLOCK DIAGRAM



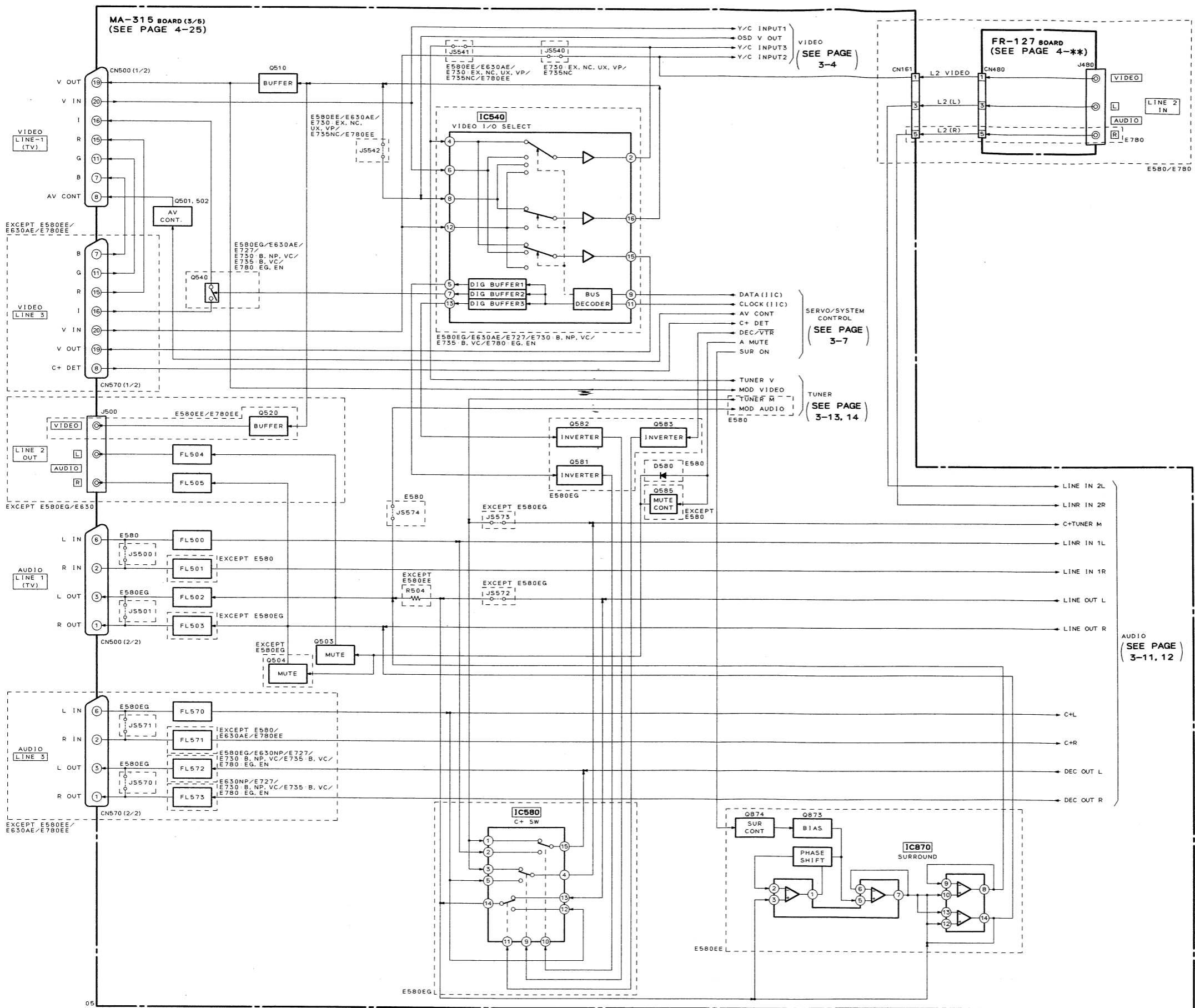
3-2. VIDEO BLOCK DIAGRAM



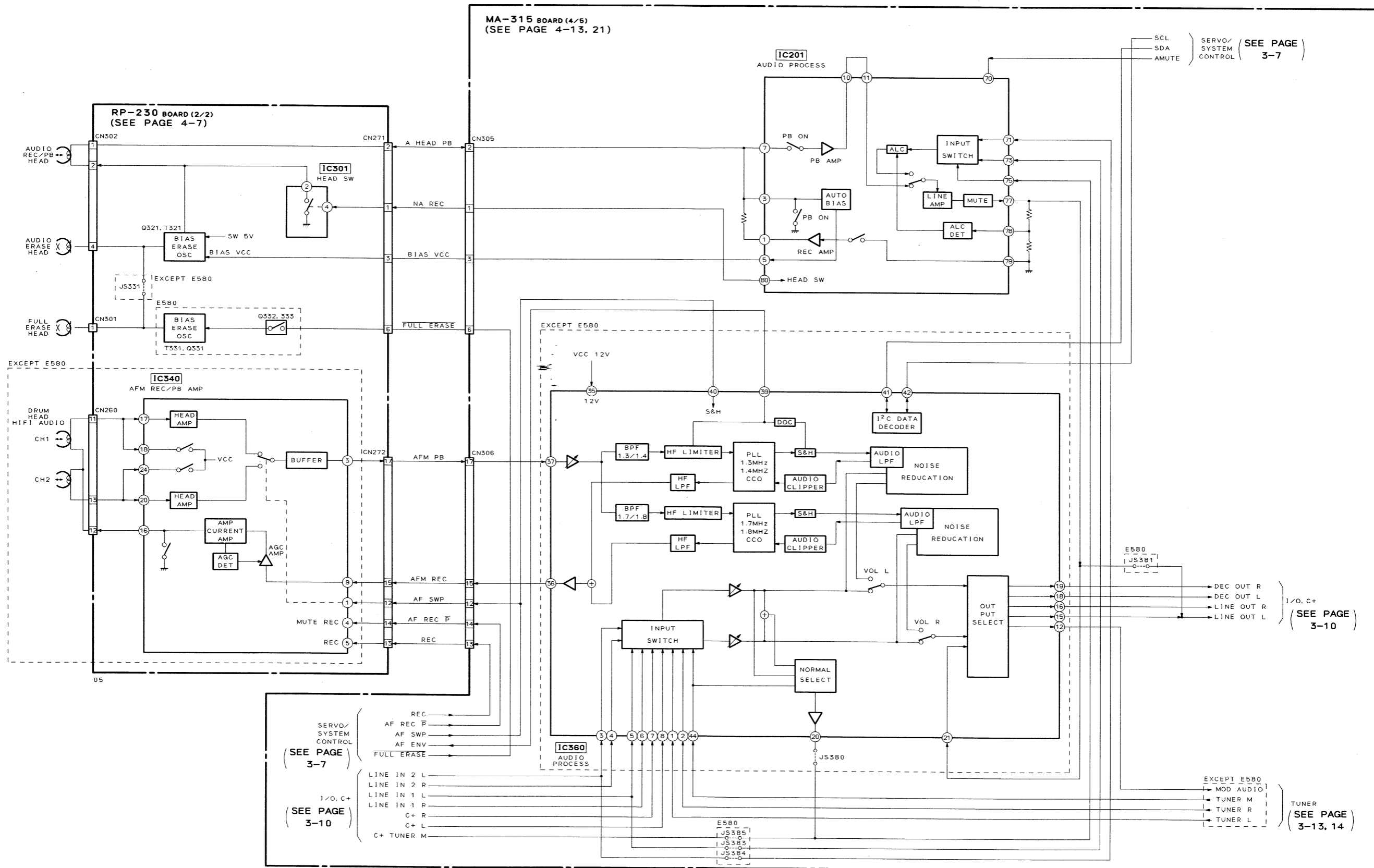
3-3. SERVO/SYSTEM CONTROL BLOCK DIAGRAM



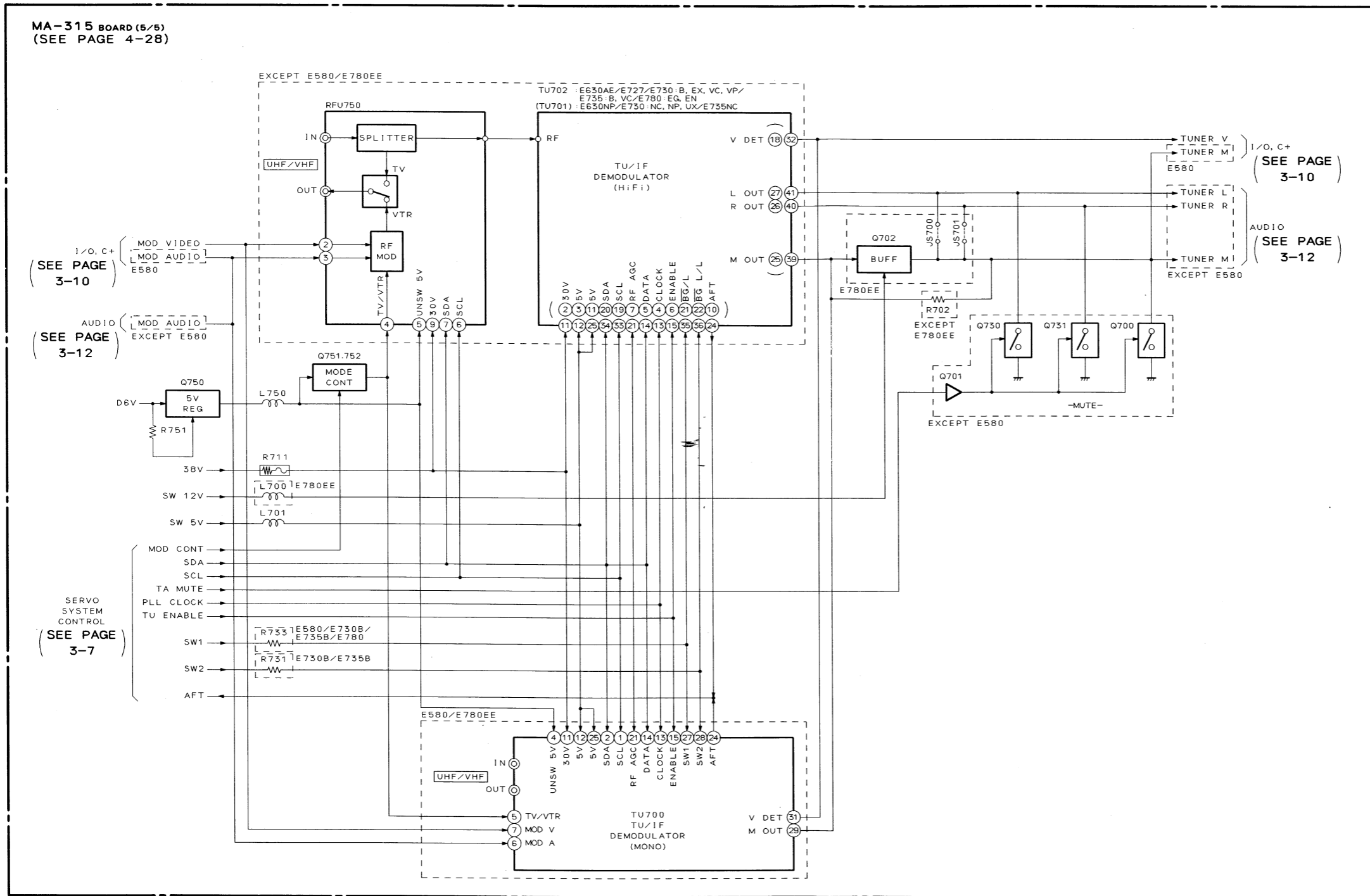
3-4. I/O, C+ BLOCK DIAGRAM



3-5. AUDIO BLOCK DIAGRAM



3-6. TUNER BLOCK DIAGRAM



05

4-1. FRAME SCHEMATIC DIAGRAM

SECTION 4
PRINTED WIRING
BOARDS AND
SCHEMATIC DIAGRAMS

THIS NOTE IS COMMON FOR PRINTED WIRING BOARDS AND SCHEMATIC DIAGRAMS. (In addition to this, the necessary note is printed in each block.)

- For printed wiring boards:
- — : indicates a lead wire mounted on the component side.
 - — : indicates a lead wire mounted on the printed side.
 - : Through hole.
 - : Parts mounted on the conductor side.
 - ▨ : Pattern from the side which enables seeing.
 - ▩ : Pattern on the rear side.*
 - : Circled numbers refer to waveforms.

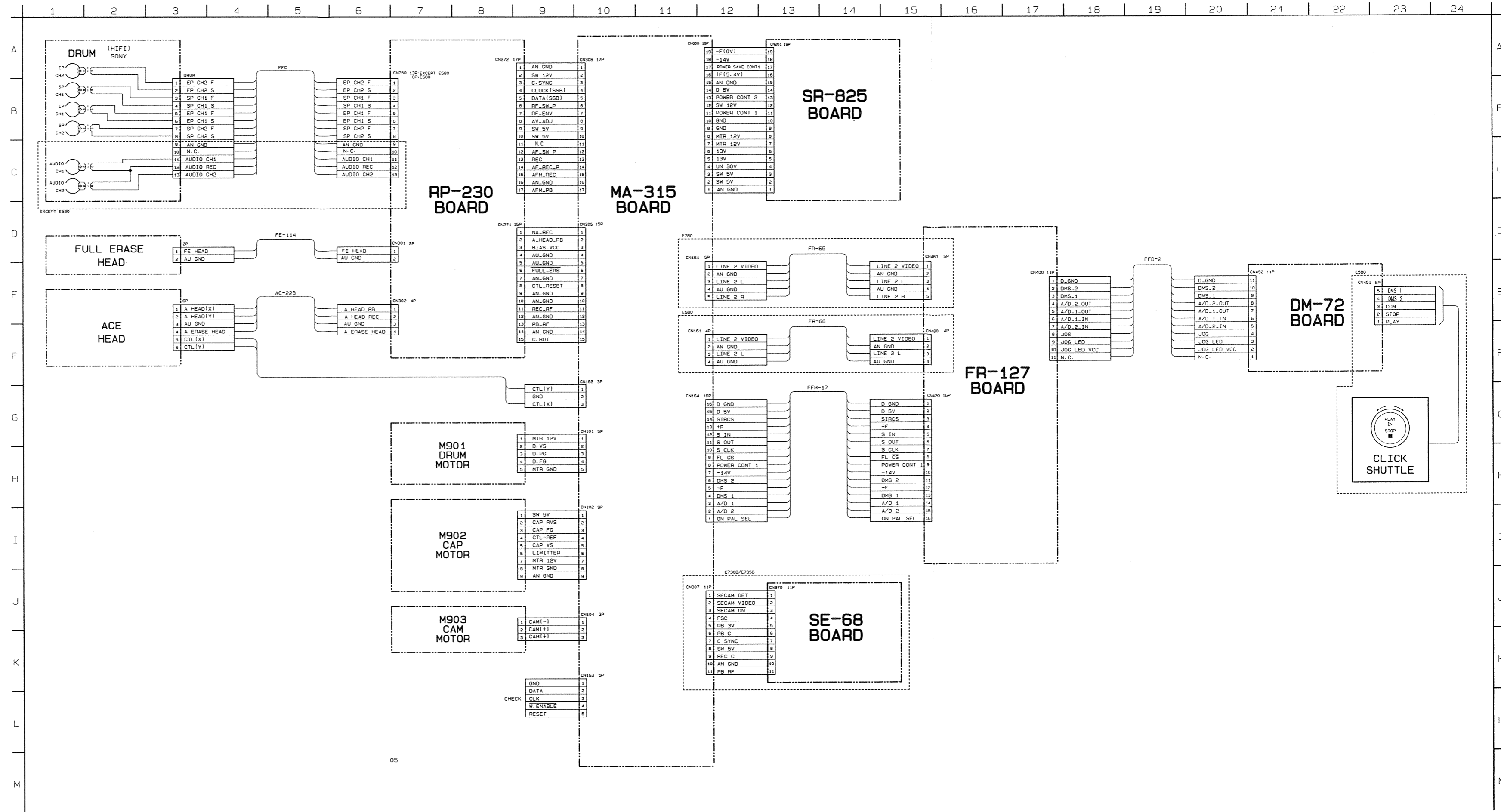
Caution:
Pattern face side: Parts on the pattern face side seen from the conductor side are indicated.
Parts face side: Parts on the parts face side seen from the component side are indicated.

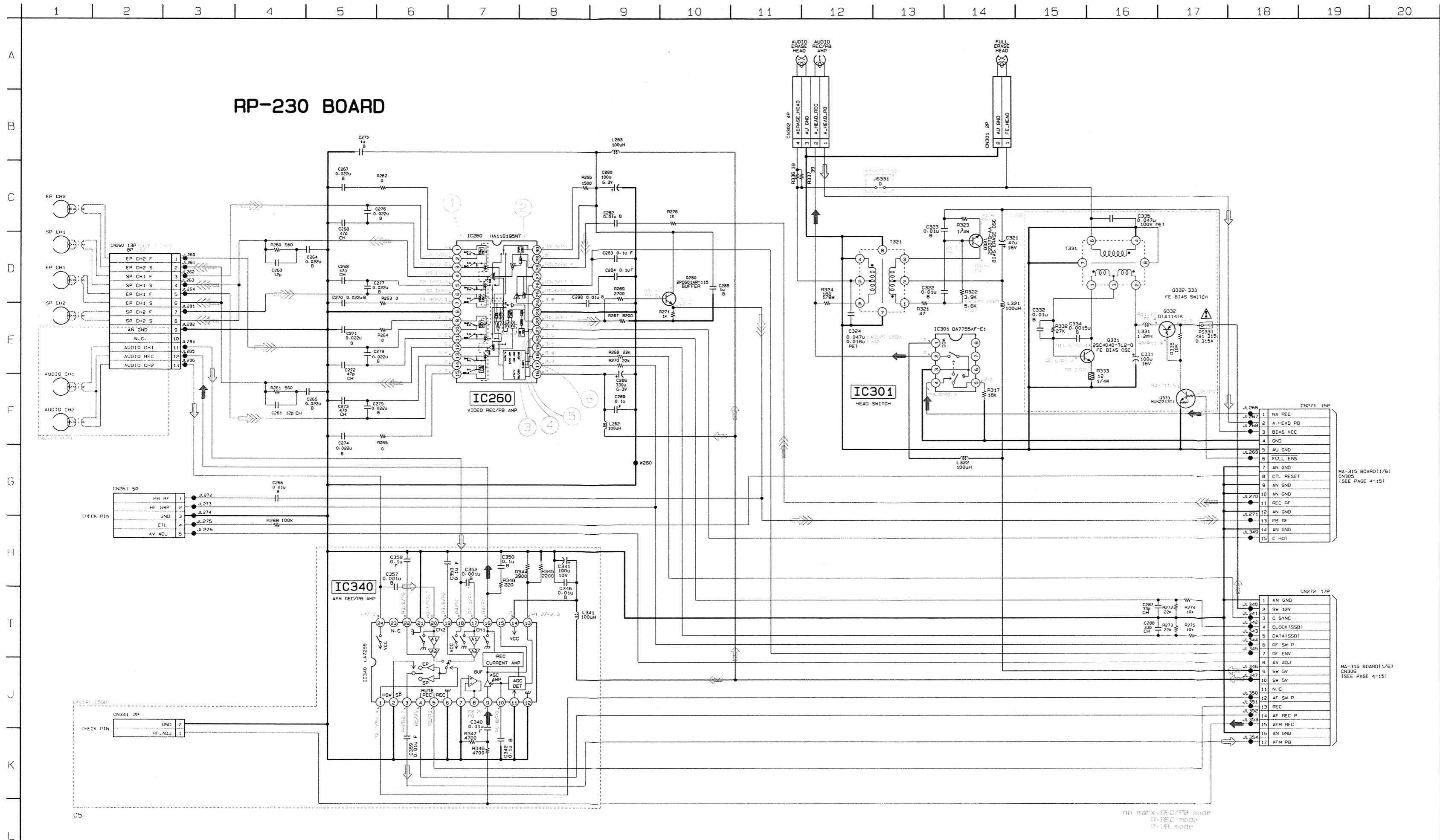
- For schematic Diagram:
- Caution when replacing chip parts. New parts must be attached after removal of chip. Be careful not to heat the minus side of tantalum capacitor, because it is damaged by the heat.
 - All resistors are in ohms, 1/4W (Chip resistors: 1/10W) unless otherwise specified.
kΩ: 1000Ω, MW: 1000kΩ.
 - All capacitors are in μF unless otherwise noted. pF: μF 50V or less are not indicated except for electrolytics and tantalums.
 - All variable and adjustable resistors have characteristic curve B, unless otherwise noted.
 - ▭ : nonflammable resistor.
 - ▭ : fusible resistor.
 - ▭ : panel designation.
 - △ : internal component.
 - ▭ : adjustment for repair.*
 - : B+ Line.*
 - : B- Line.*
 - ⇒ : IN/OUT direction of B line (+, -).*
 - Circled numbers refer to waveforms.*
 - Voltages are dc between measurement point.*
 - Readings are taken with a color-bar signal input.*
 - Readings are taken with a digital multimeter (DC 10MW).*
 - Voltage variations may be noted due to normal production tolerances.*

Note: The components identified by mark △ or dotted line with mark △ are critical for safety. Replace only with part number specified.

When indicating parts by reference number, please include the board name.

- * : indicated by the color red.



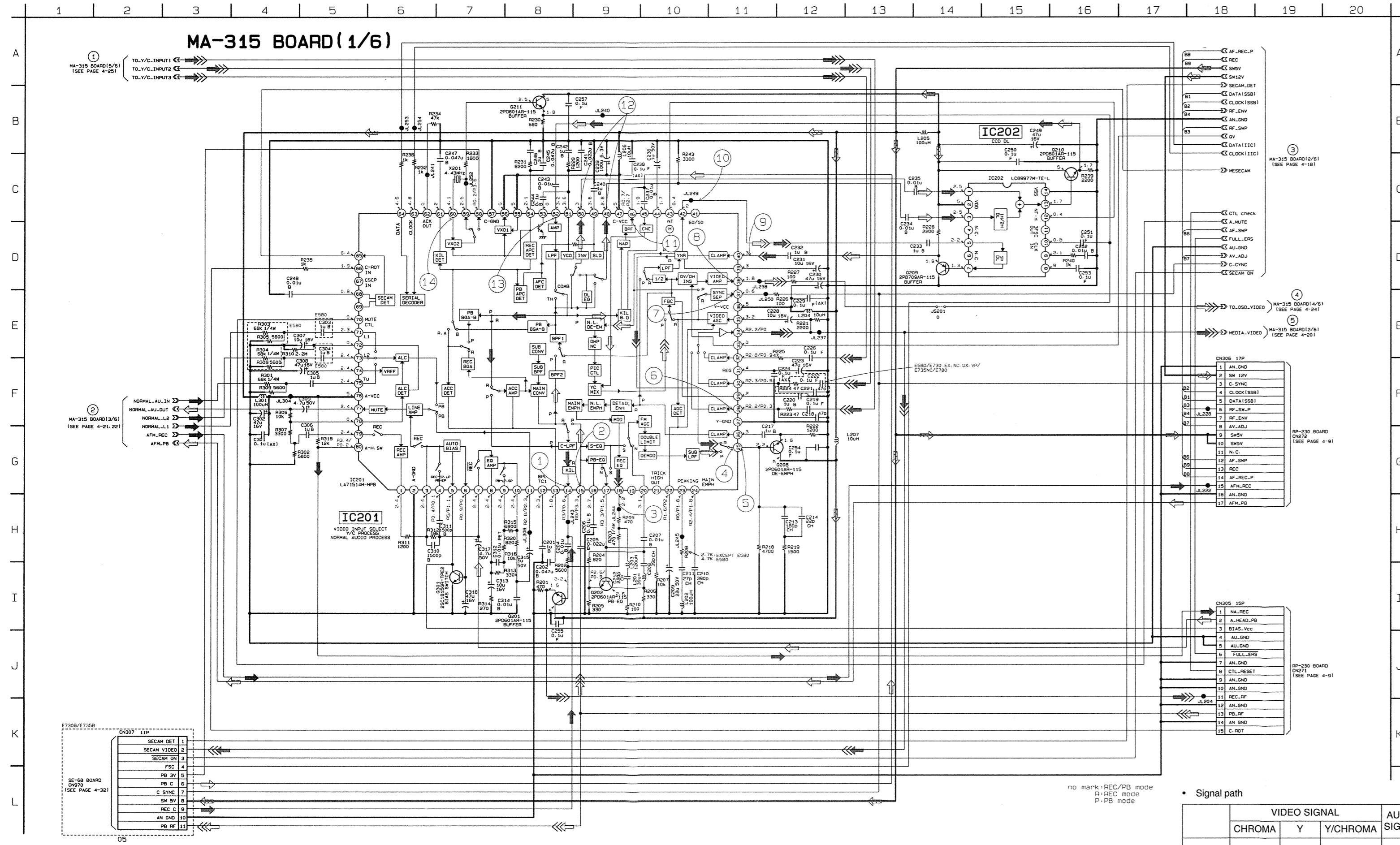


Note: The components identified by mark Δ or dotted line with mark Δ are critical for safety. Replace only with part number specified.

• Signal path

	VIDEO SIGNAL			AUDIO SIGNAL
	CHROMA	Y	Y/CHROMA	
REC	➡	➡	➡	➡
PB	➡	➡	➡	➡

no mark REC/PB mode
R: REC mode
D: PB mode



• Waveforms

